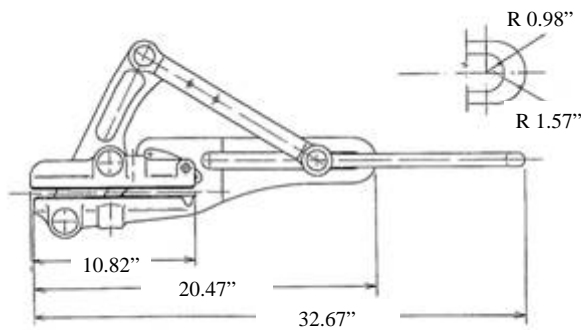


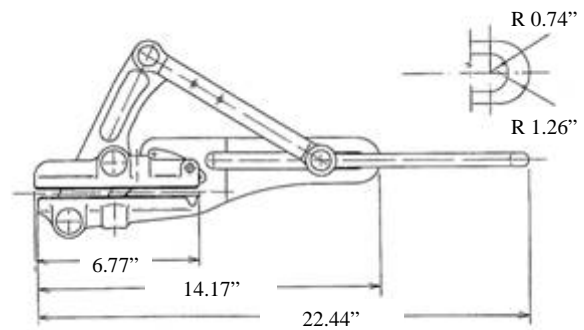
SELF-CLAMPING GRIP



Suitable for aluminum conductor, steel earthwire, anti-twisting rope and copper conductors. Made of high-tensile alloy steel, hot forged, heat-treated, precision machined and zinc plated with a complete range of interchangeable liners available (see next two pages).



IR3104 Grip



IR3107 Grip

Grip Model No.	Grip Weight LBS.	Maximum Working Load	Minimum Breaking Load	Interchangeable Liners by Cable Type	Cable O.D. Range
IR3104	37.5	26,300lb	64,070lb	ACSR/ACSS Copper Conductor Rd. Steel Wire	0.31" - 1.73" 0.31" - 1.73" 0.39" - 1.34"
IR3107	15.5	11,015lb	33,720lb	ACSR/ACSS Copper Conductor Rd. Steel Wire	0.24" - 0.94" 0.24" - 0.63" 0.24" - 0.63"

MORPAC INDUSTRIES, INC.

117 Frontage Road North, Suite A
Pacific, WA 98047-1052

Website: <http://www.morpac.com/>
Email: actuators@morpac.com

Phone: (253) 735-8922
Fax: (253) 735-8933

INTERCHANGEABLE LINERS For IR3104 Self-Clamping Grip



The liners are available in aluminum for aluminum or aluminum/steel conductors and bronze for copper conductors, steel anti-twisting rope and steel earth wire.

RANGE OF CONDUCTORS	IR3104-A ACSR LINERS FOR ALUMINUM CONDUCTORS	IR3104-B LINERS FOR COPPER CONDUCTORS	IR3104-R LINERS FOR ROUND STEEL WIRES	IR3104-S LINERS FOR SQUARE STEEL WIRES
		SUPPLIED ON REQUEST WITH EXACT DIAMETER. FROM 0.31" - 0.89"	SUPPLIED ON REQUEST WITH EXACT DIAMETER. FROM 0.31" - 0.89"	
	IR3104-A XXXX	IR3104-B XXXX		
0.89" - 0.94"	IR3104-A 0.89R	IR3104-B 0.89R	SUPPLIED ON REQUEST WITH EXACT DIAMETER FROM 0.39" - 1.34"	SUPPLIED ON REQUEST WITH EXACT DIAMETER FROM 0.31" - 1.02"
0.94" - 1.00"	IR3104-A 0.95R	IR3104-B 0.95R		
1.00" - 1.06"	IR3104-A 1.00R	IR3104-B 1.00R		
1.06" - 1.12"	IR3104-A 1.06R	IR3104-B 1.06R		
1.12" - 1.18"	IR3104-A 1.12R	IR3104-B 1.12R		
1.18" - 1.24"	IR3104-A 1.18R	IR3104-B 1.18R		
1.24" - 1.30"	IR3104-A 1.24R	IR3104-B 1.24R		
1.30" - 1.36"	IR3104-A 1.30R	IR3104-B 1.30R		
1.36" - 1.42"	IR3104-A 1.36R	IR3104-B 1.36R		
1.42" - 1.48"	IR3104-A 1.42R	IR3104-B 1.42R		
1.48" - 1.54"	IR3104-A 1.48R	IR3104-B 1.48R		
1.54" - 1.59"	IR3104-A 1.54R	IR3104-B 1.54R		
1.61"	IR3104-A 1.602	IR3104-B 1.602		

MORPAC INDUSTRIES, INC.

117 Frontage Road North, Suite A
Pacific, WA 98047-1052

Website: <http://www.morpac.com/>
Email: actuators@morpac.com

Phone: (253) 735-8922
Fax: (253) 735-8933

INTERCHANGEABLE LINERS For IR3107 Self-Clamping Grip



The liners are available in aluminum for aluminum or aluminum/steel conductors and bronze for copper conductors, steel anti-twisting rope and steel earth wire.

RANGE OF CONDUCTORS	IR3107-A ACSR LINERS FOR ALUMINUM CONDUCTORS	IR3107-B LINERS FOR COPPER CONDUCTORS	IR3107-R LINERS FOR ROUND STEEL WIRES	IR3107-S LINERS FOR SQUARE STEEL WIRES
0.236"	IR3107-A 0.236"	IR3107-B 0.236"	SUPPLIED ON REQUEST WITH EXACT DIAMETER FROM 0.24" - 0.63"	
0.26" - 0.31"	IR3107-A 0.26R	IR3107-B 0.26R		
0.31" - 0.37"	IR3107-A 0.31R	IR3107-B 0.31R		
0.37" - 0.43"	IR3107-A 0.37R	IR3107-B 0.37R		
0.43" - 0.49"	IR3107-A 0.43R	IR3107-B 0.43R		
0.49" - 0.55"	IR3107-A 0.49R	IR3107-B 0.49R		
0.55" - 0.61"	IR3107-A 0.55R	IR3107-B 0.55R		
0.61" - 0.67"	IR3107-A 0.61R	IR3107-B 0.61R		
0.67" - 0.73"	IR3107-A 0.67R	IR3107-B 0.67R		
0.73" - 0.79"	IR3107-A 0.73R	IR3107-B 0.73R		
0.79" - 0.85"	IR3107-A 0.79R	IR3107-B 0.79R		
0.85" - 0.91"	IR3107-A 0.85R	IR3107-B 0.85R		
0.89"- 0.94"	IR3107-A 0.89R	IR8107-B 0.89R		

MORPAC INDUSTRIES, INC.

117 Frontage Road North, Suite A
Pacific, WA 98047-1052

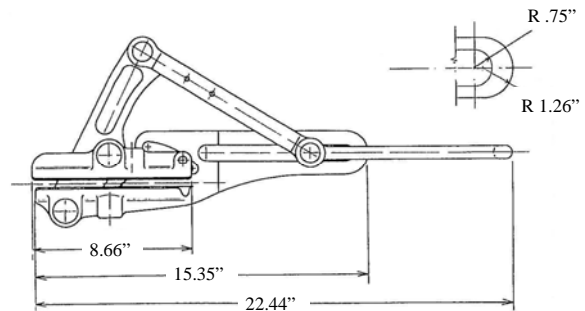
Website: <http://www.morpac.com/>
Email: actuators@morpac.com

Phone: (253) 735-8922
Fax: (253) 735-8933

SELF-CLAMPING GRIP IR 3112 for OPGW



- Suitable for OPGW conductors, grip is made of tensile alloy steel, hot forged, heat-treated, precision machined and zinc-plated with interchangeable liners to order.
- Order interchangeable liners specific to each conductor diameter. Each set of liners includes an upper Teflon liner and a lower aluminum liner.



Grip Model No.	Grip Weight LBS.	Maximum Working Load	Minimum Breaking Load	Interchangeable Liners for Cable Type	Cable O.D. Range
IR3112	15.5	11,015 lb	33,720 lb	OPGW	0.24" - 0.91"

MORPAC INDUSTRIES, INC.

117 Frontage Road North, Suite A
Pacific, WA 98047-1052

Website: <http://www.morpac.com/>
Email: actuators@morpac.com

Phone: (253) 735-8922
Fax: (253) 735-8933