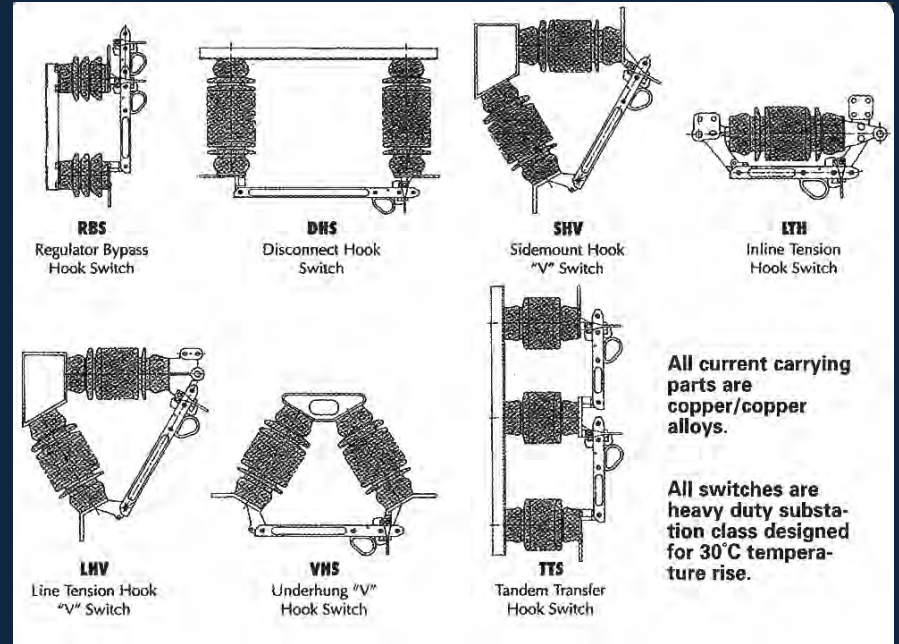


HOOKSTICK OPERATED SWITCHES DHS AND VHS

The Morpac hook operated switch line offers a wide selection of configurations to accommodate any installation, including tandem transfer and non-sequenced regulator by-pass models. Designed for heavy duty substation and distribution use, these switches have been operating in harsh conditions around the world for over 30 years.



	DHS/VHS
Primary Material	Copper
Current Range	600A – 4000A
Voltage Range (nom)	7.5kV – 161kV